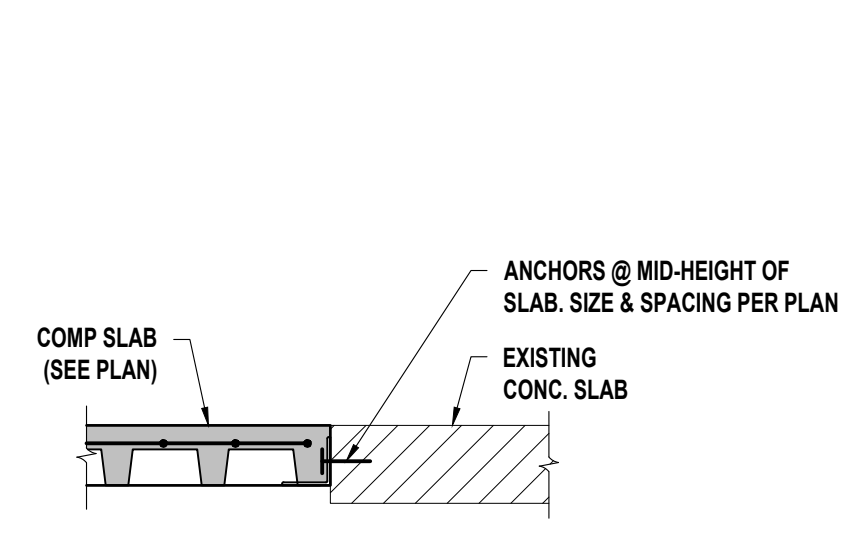
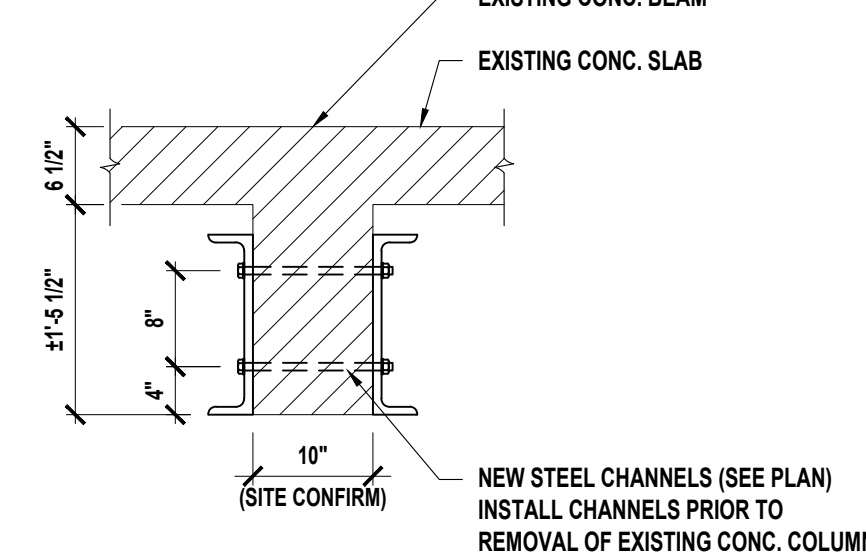


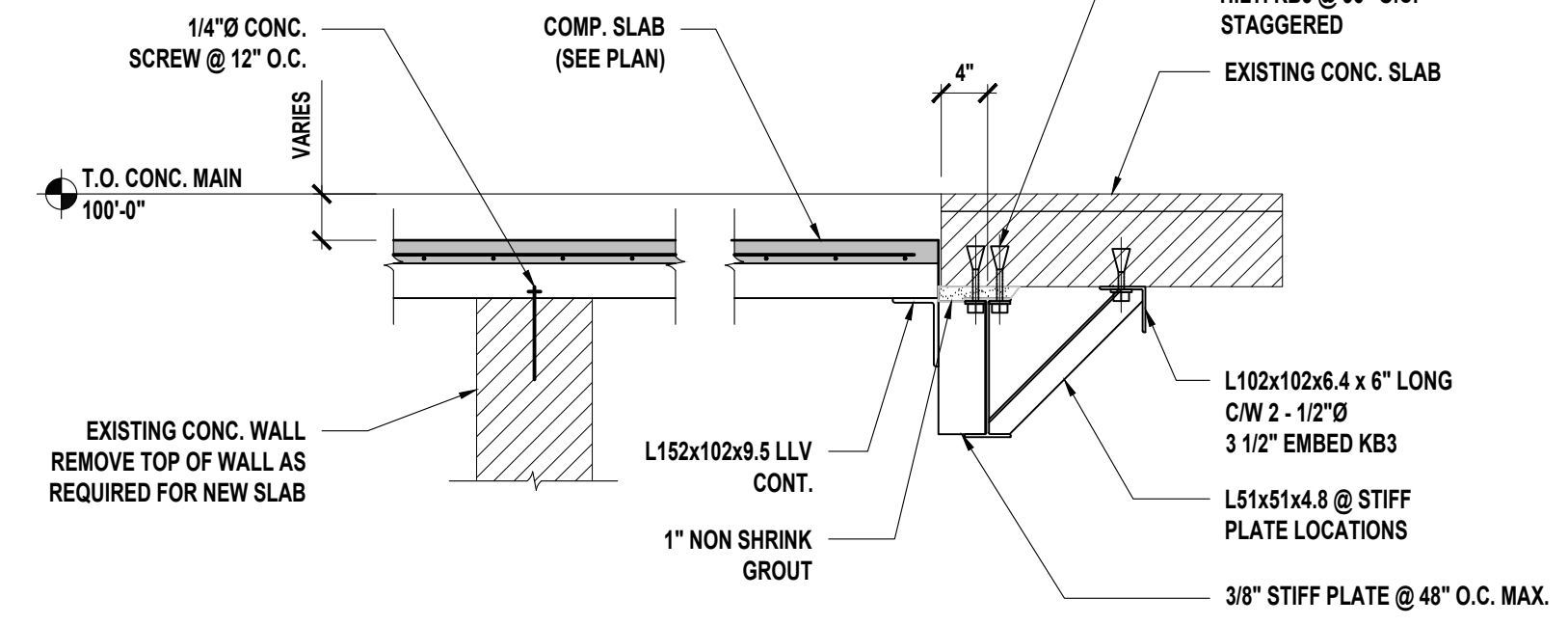
1 SECTION - LIFT PIT
S2.1 | S5.1 SCALE: 3/4"=1'-0"



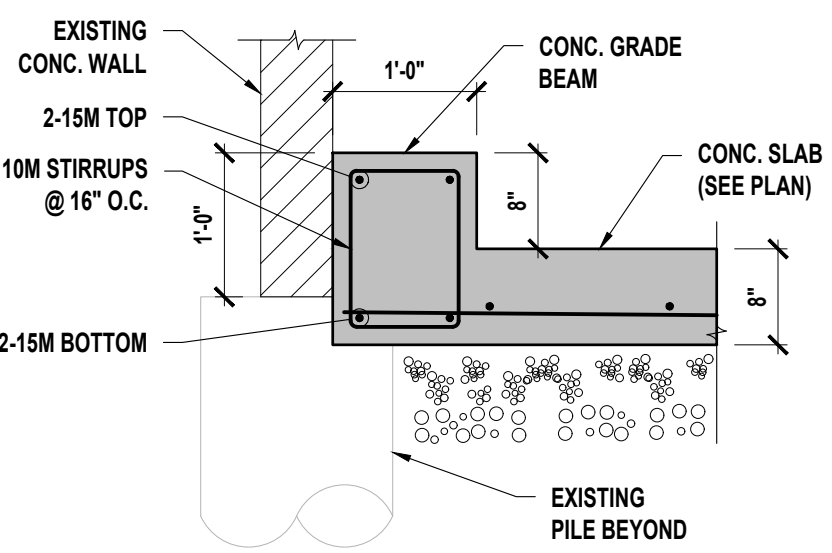
5 SECTION - SLAB INFILL
S2.2 | S5.1 SCALE: 3/4"=1'-0"



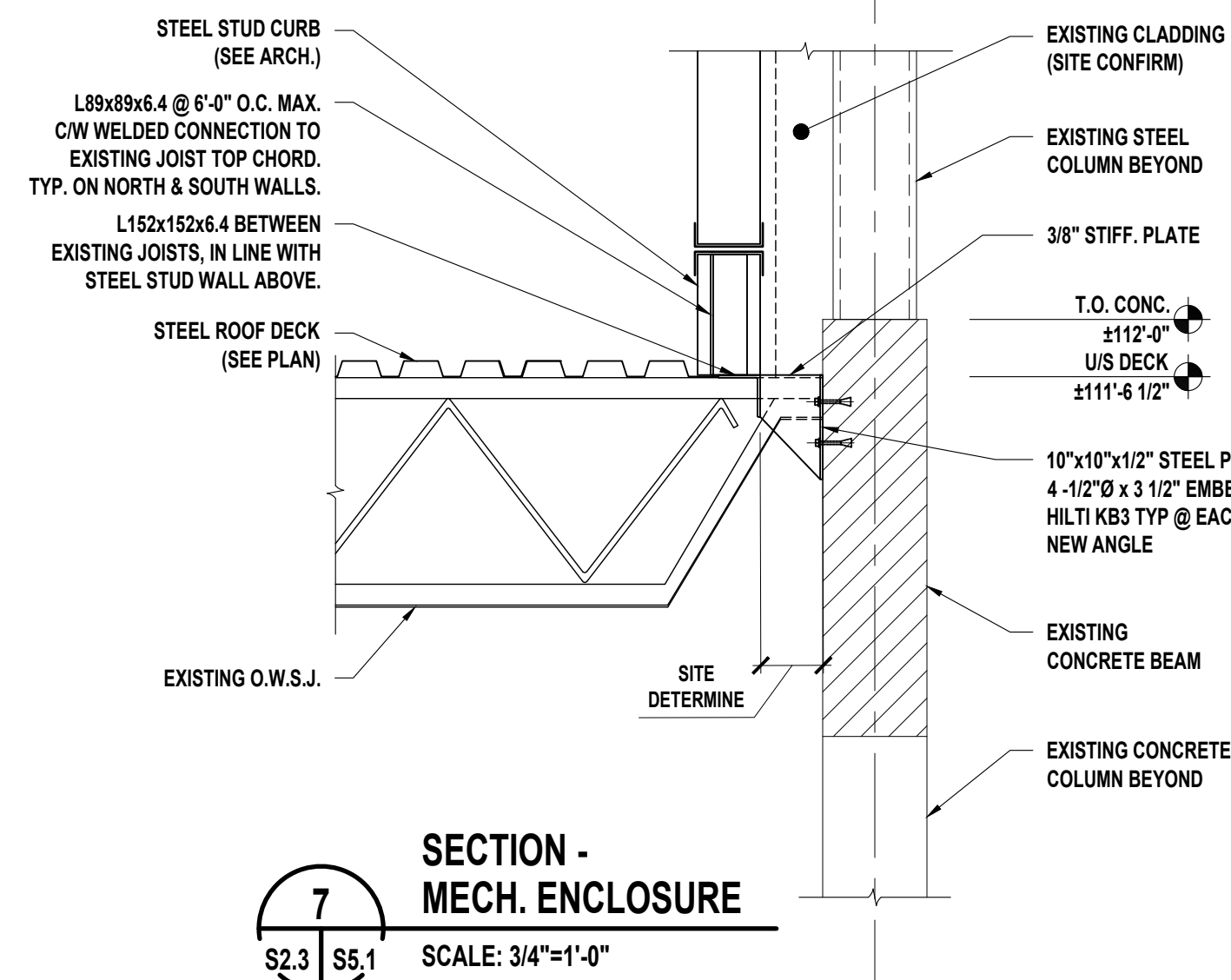
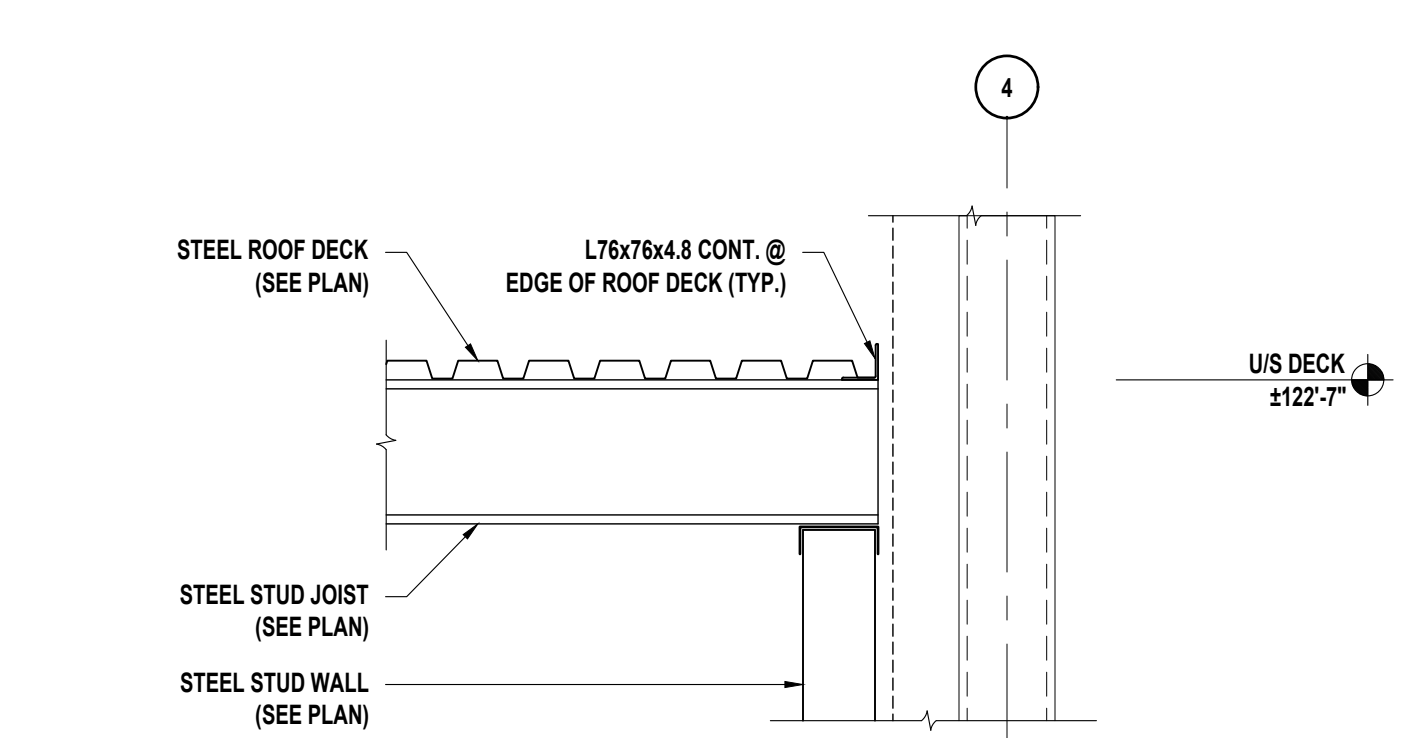
6 SECTION
S2.2 | S5.1 SCALE: 3/4"=1'-0"



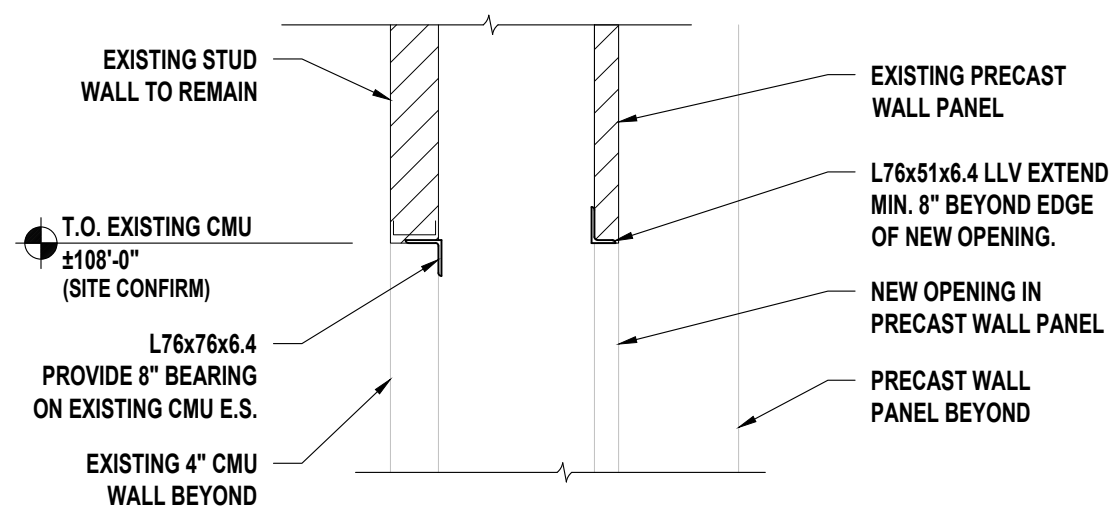
9 SECTION - SLOPED FLOOR
S2.1 | S5.1 SCALE: 3/4"=1'-0"



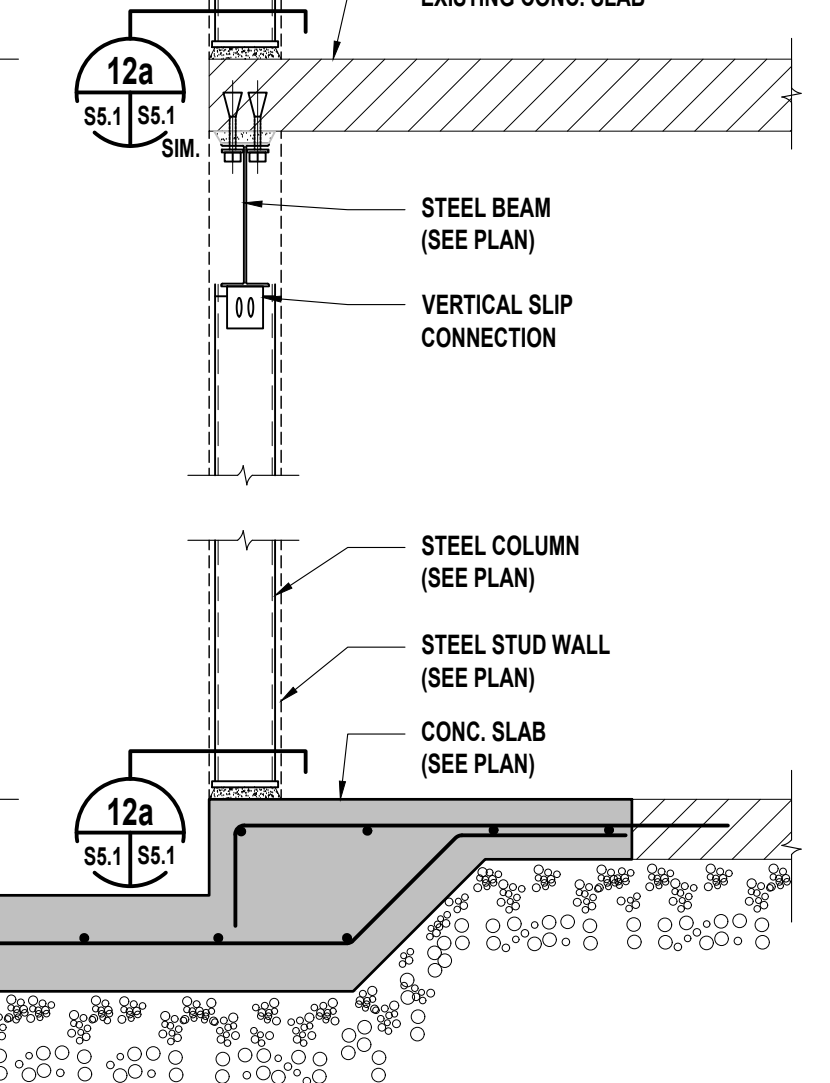
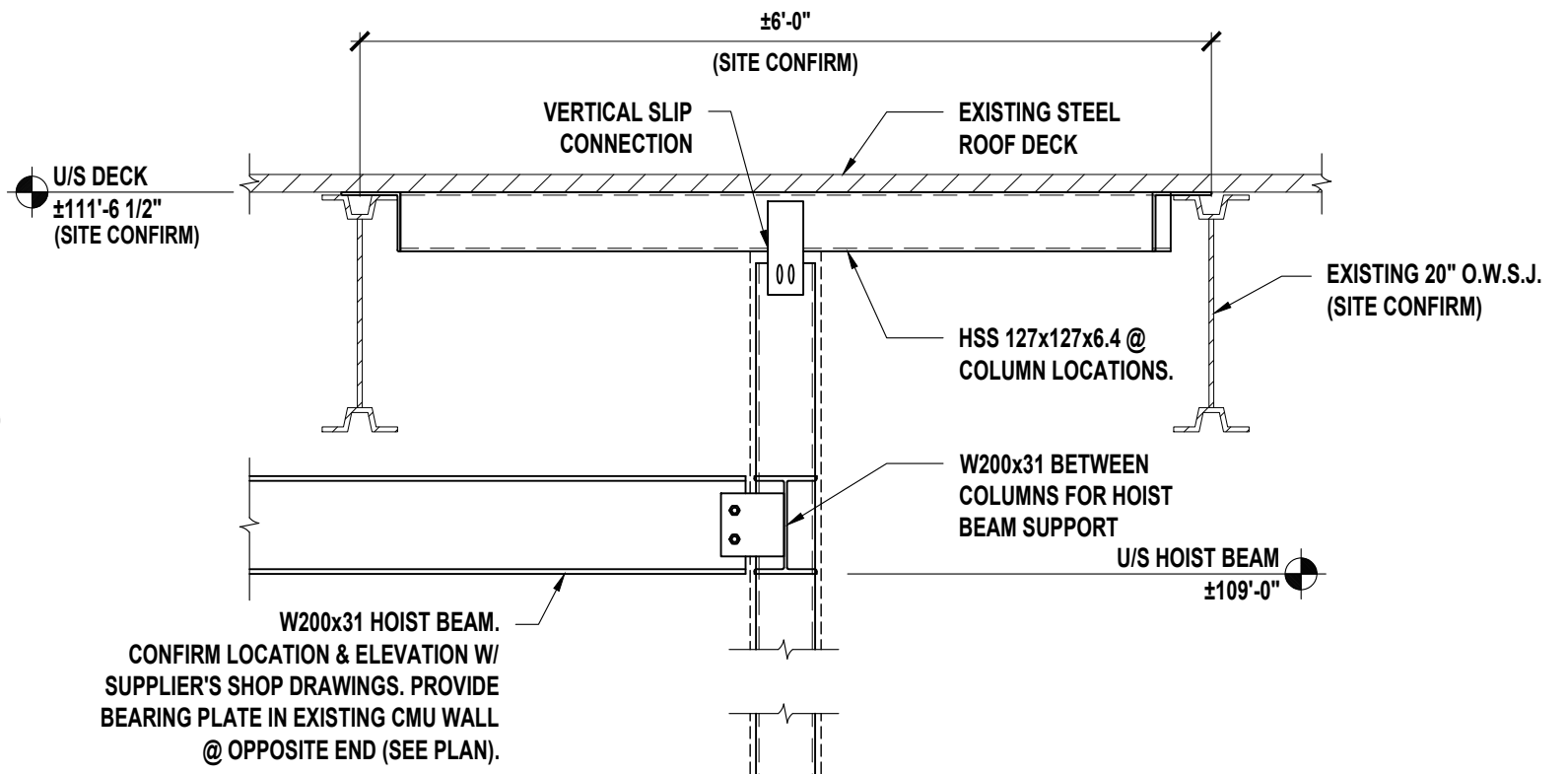
2 SECTION - LIFT PIT
S2.1 | S5.1 SCALE: 3/4"=1'-0"



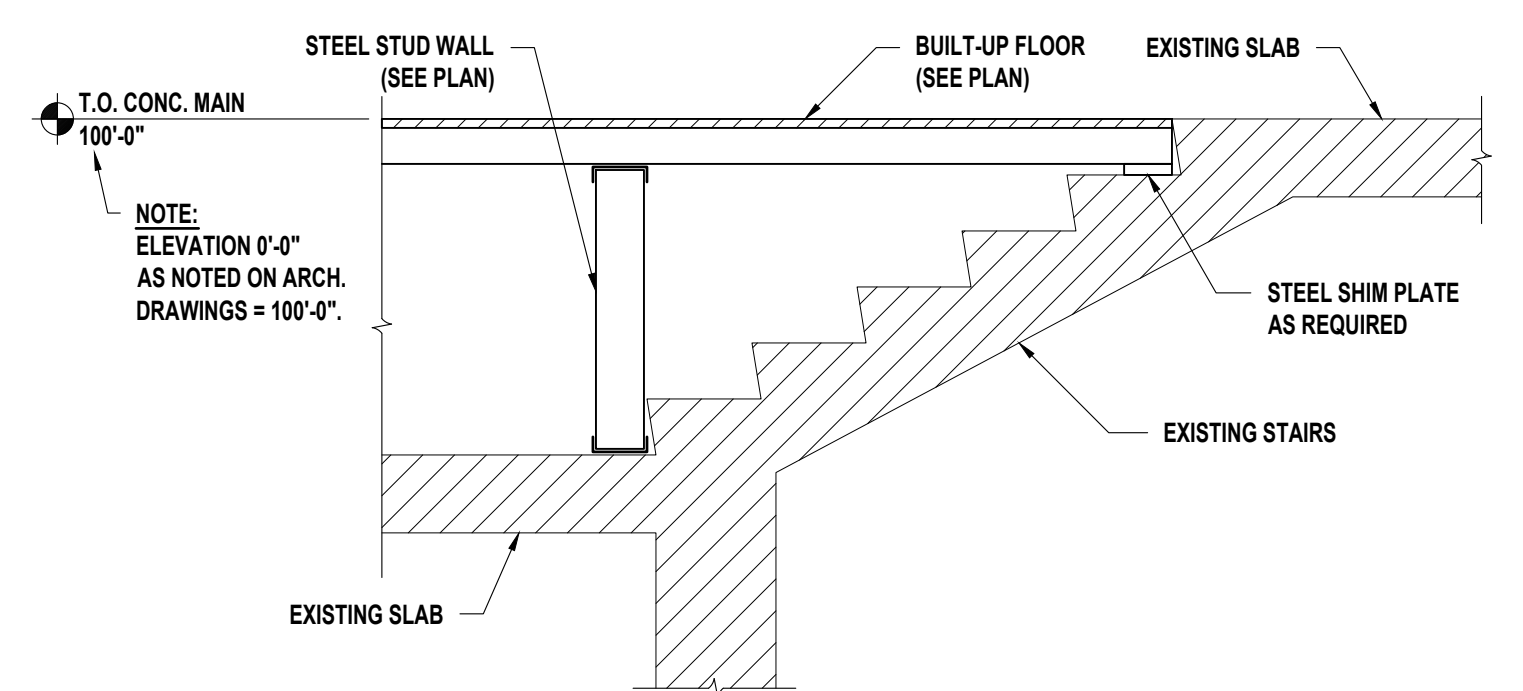
7 SECTION - MECH. ENCLOSURE
S2.3 | S5.1 SCALE: 3/4"=1'-0"



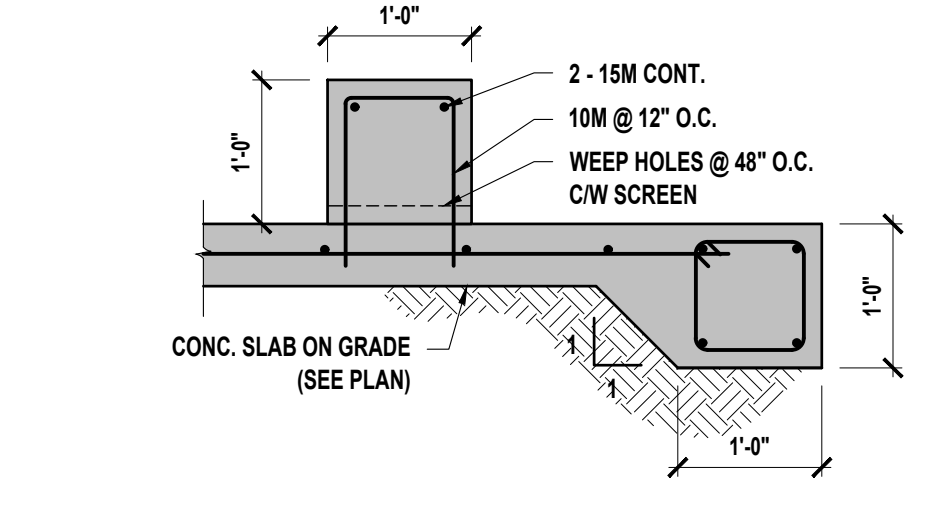
10 SECTION - EXTERIOR WALL OPENING
S2.1 | S5.1 SCALE: 3/4"=1'-0"



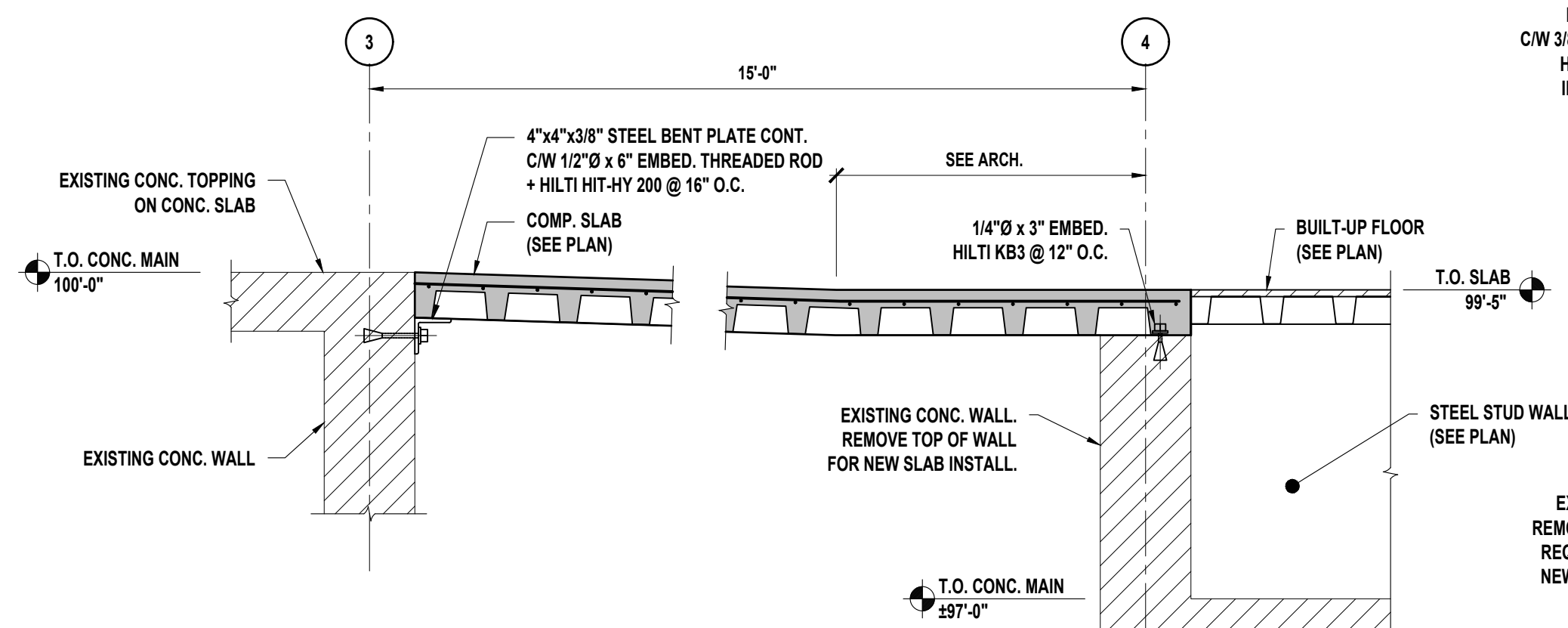
12 SECTION - LIFT
S2.1 | S5.1 SCALE: 3/4"=1'-0"



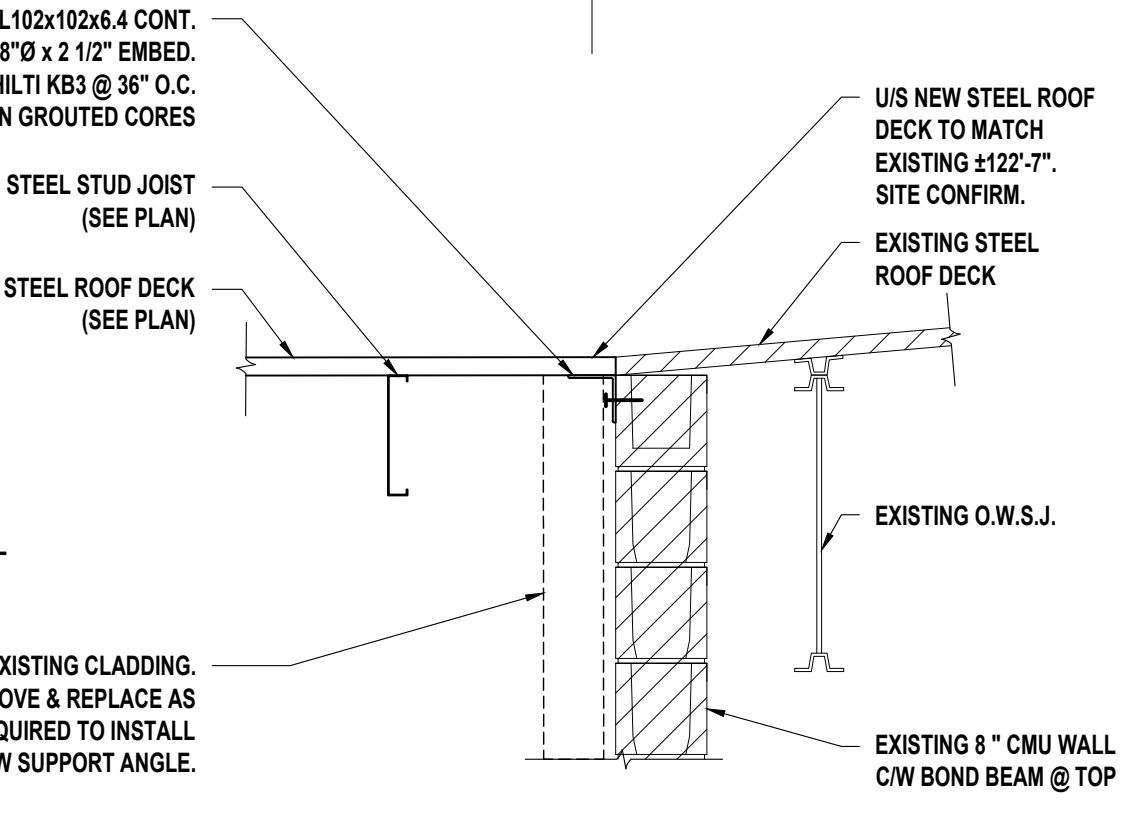
3 SECTION - BUILT-UP FLOOR
S2.1 | S5.1 SCALE: 3/4"=1'-0"



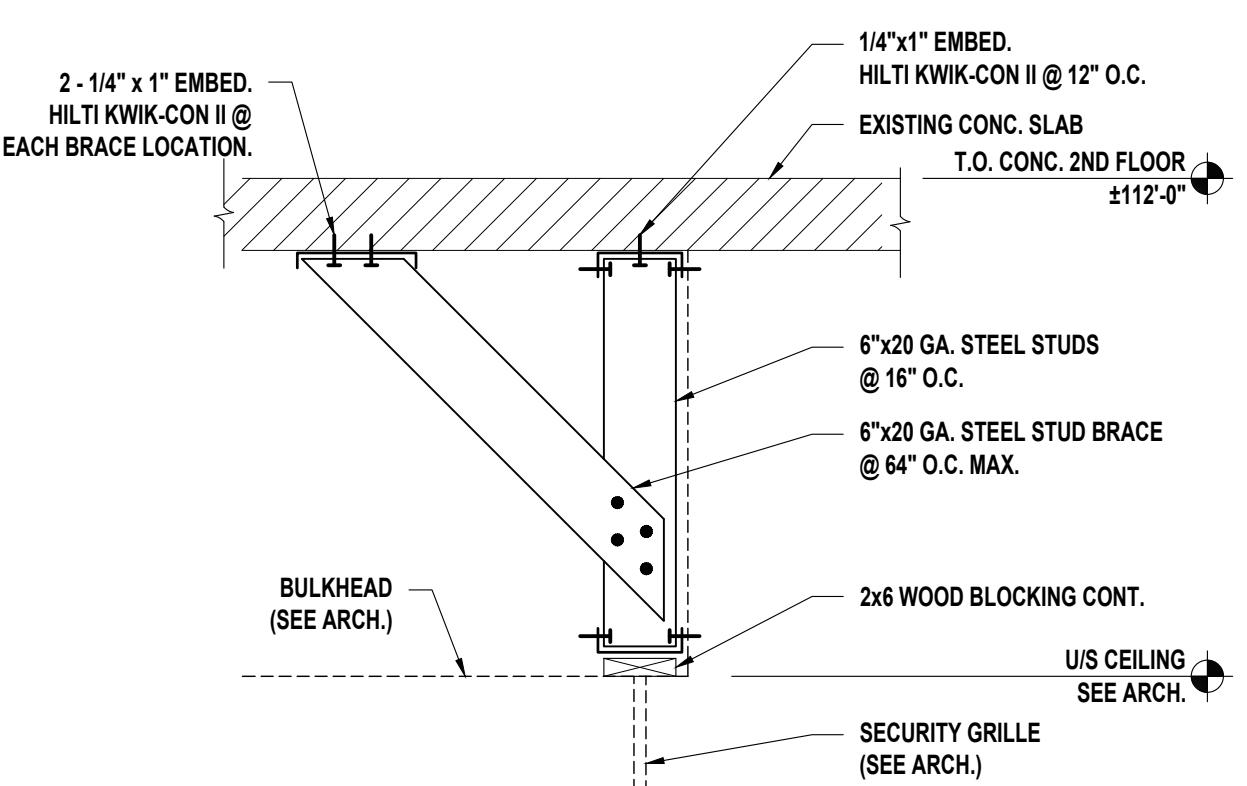
11 SECTION - FLUID COOLER SLAB
S2.1 | S5.1 SCALE: 3/4"=1'-0"



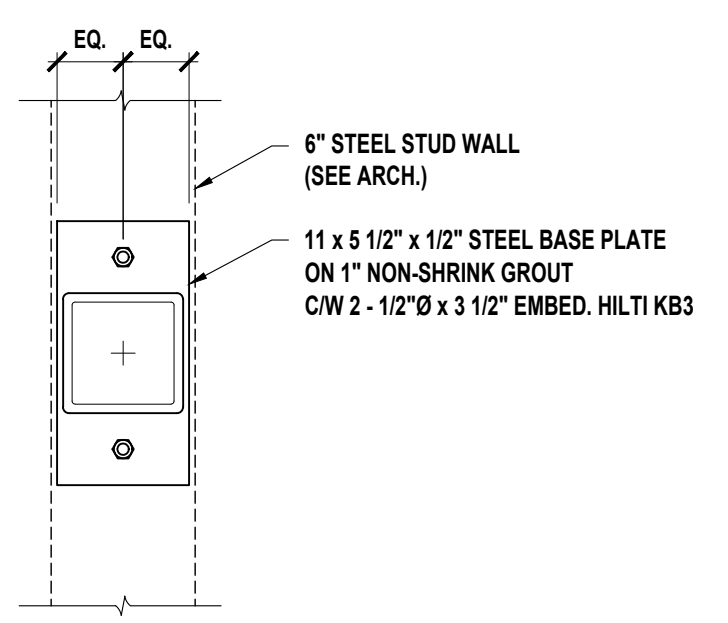
4 SECTION - SLOPED FLOOR
S2.1 | S5.1 SCALE: 3/4"=1'-0"



8 SECTION - MECH. ENCLOSURE
S2.4 | S5.1 SCALE: 3/4"=1'-0"



13 SECTION - SECURITY GRILLE
S2.2 | S5.1 SCALE: 3/4"=1'-0"



12a BASE PLATE DETAIL - LIFT
S5.1 | S5.1 SCALE: 1 1/2"=1'-0"